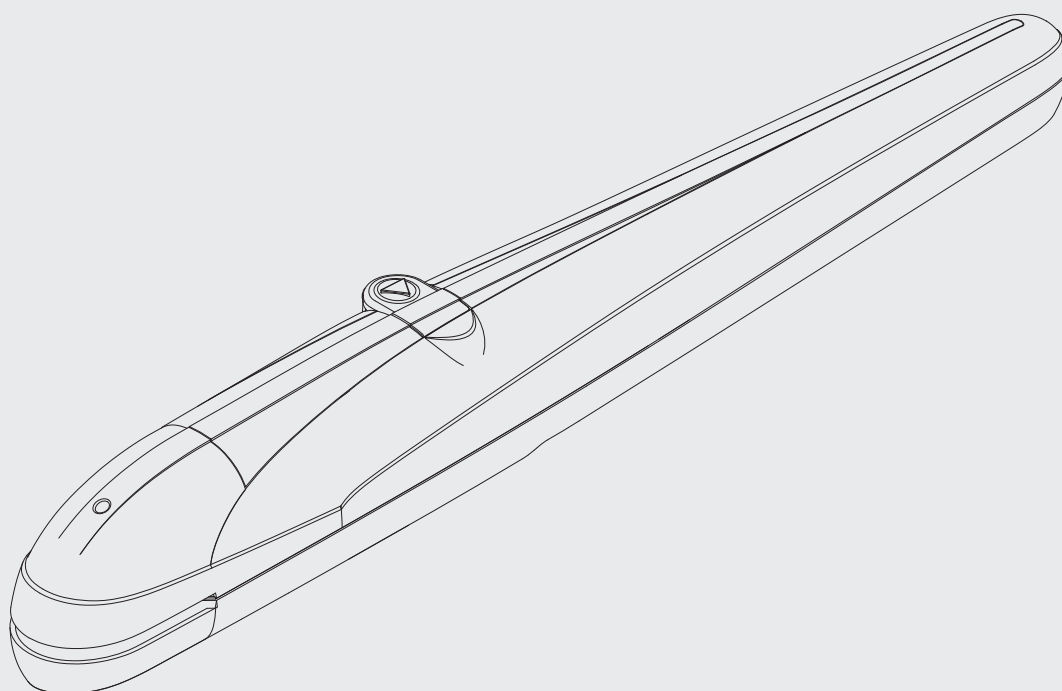


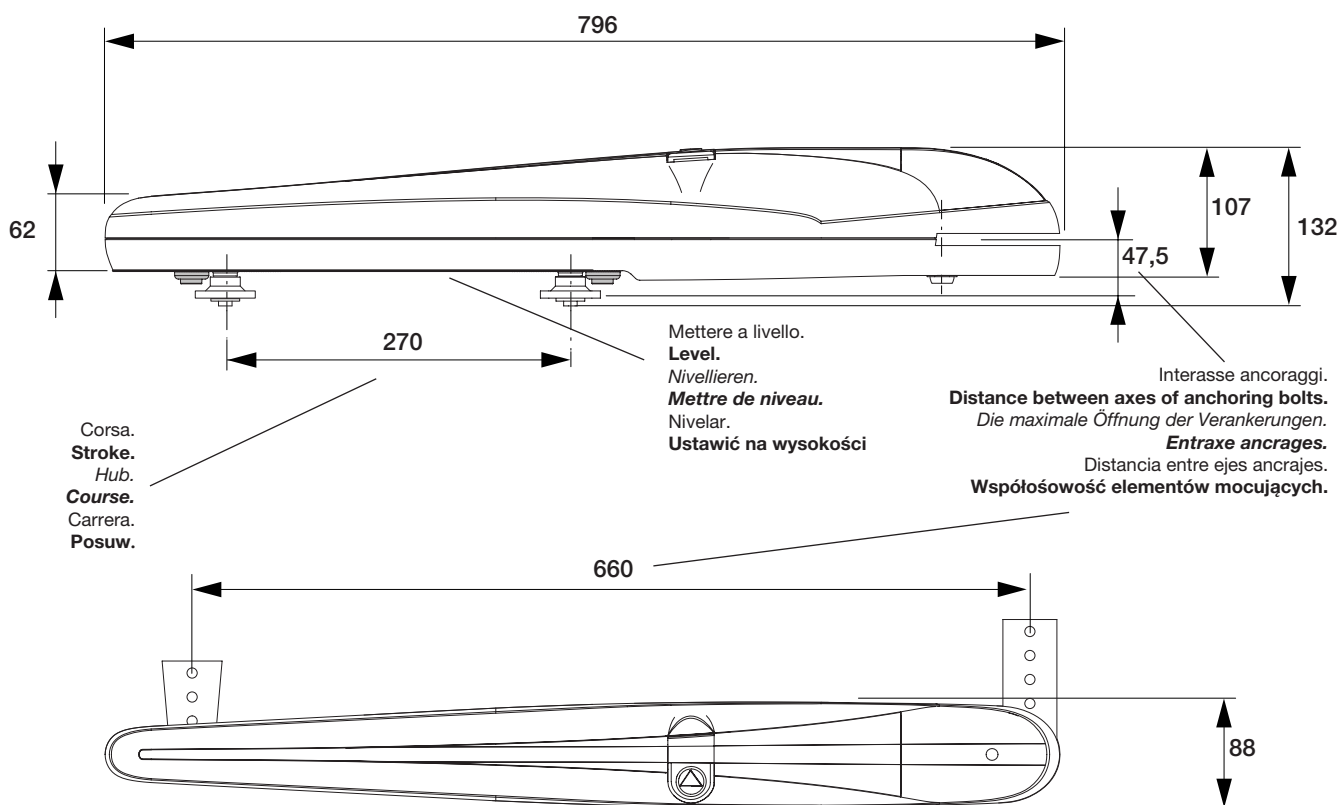
BOB2124 E BOB3024 E



BENINCA[®]
TECHNOLOGY TO OPEN



Dimensioni d'ingombro / Overall dimensions / Abmessungen
 Dimensions d'encombrement / Dimensiones exteriores / Wymiary gabarytowe



1

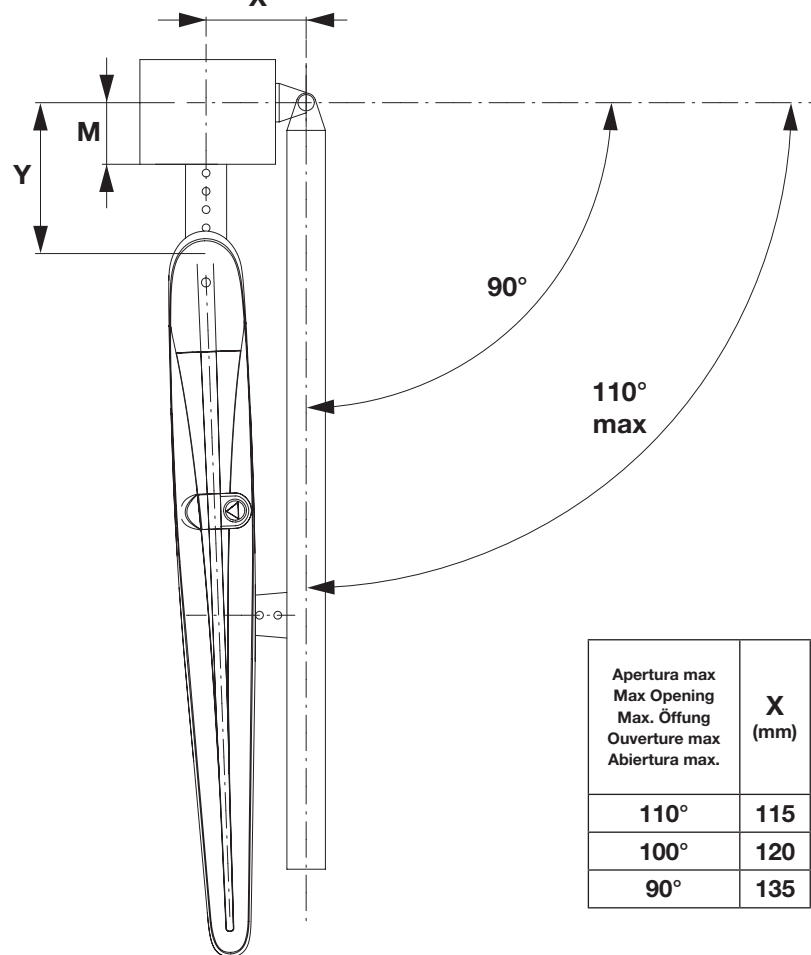
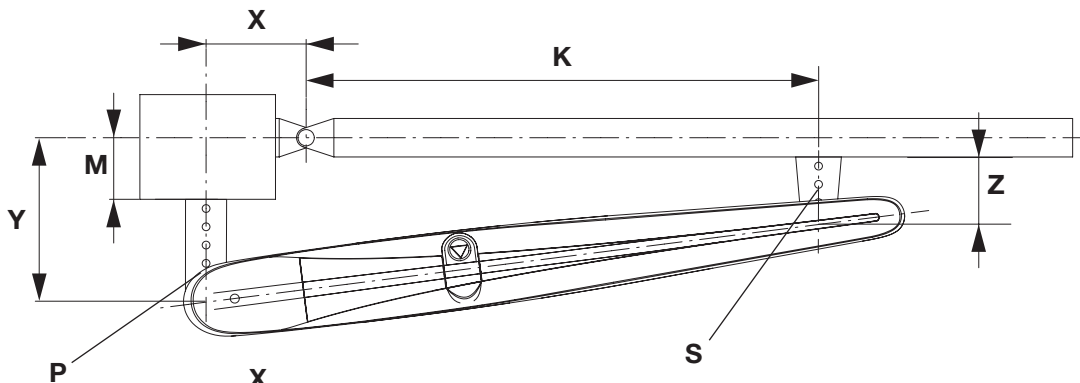
Arresto in apertura.
Stop when opening.
Endanschlag zur Öffnung.
Arrêt en ouverture.
Tope en apertura.
Chwytnak blokujący podczas otwierania.



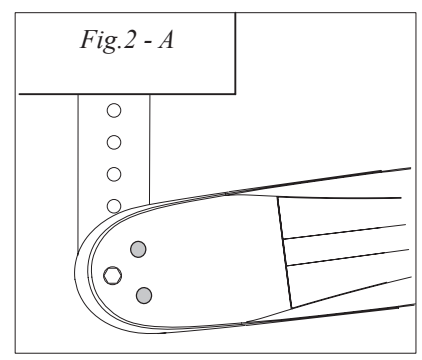
Arresto in chiusura.
Stop when closing.
Endanschlag zur Schließung.
Arrêt en fermeture.
Tope de cierre.
Chwytnak blokujący podczas zamykania.



2

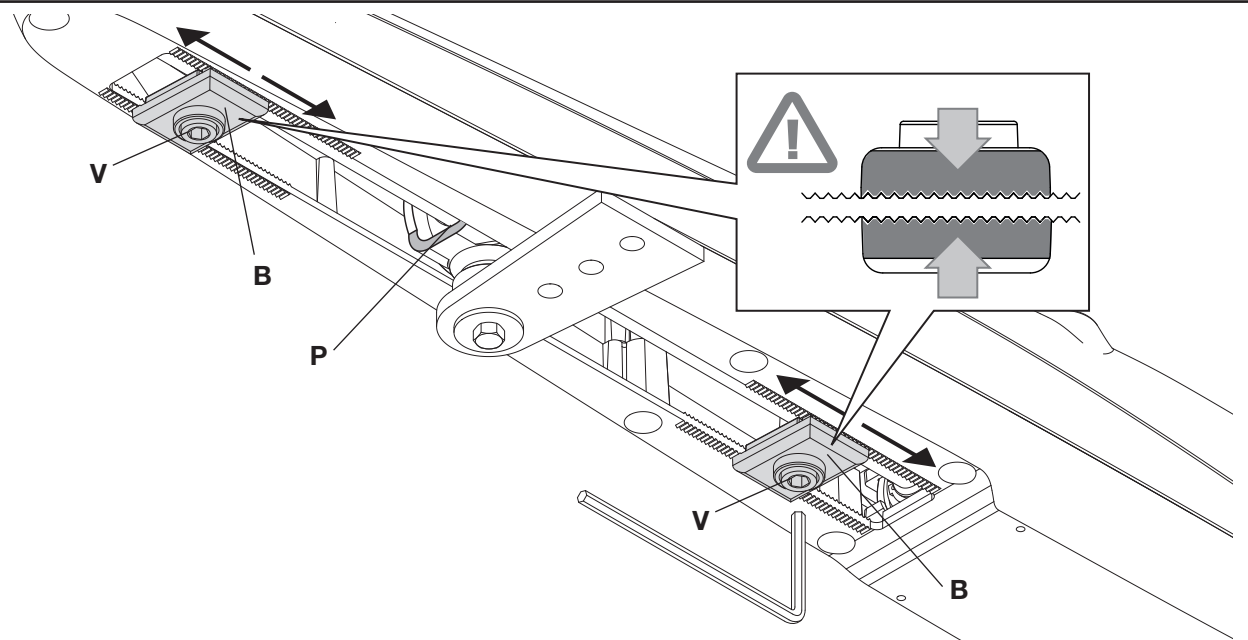


110° max

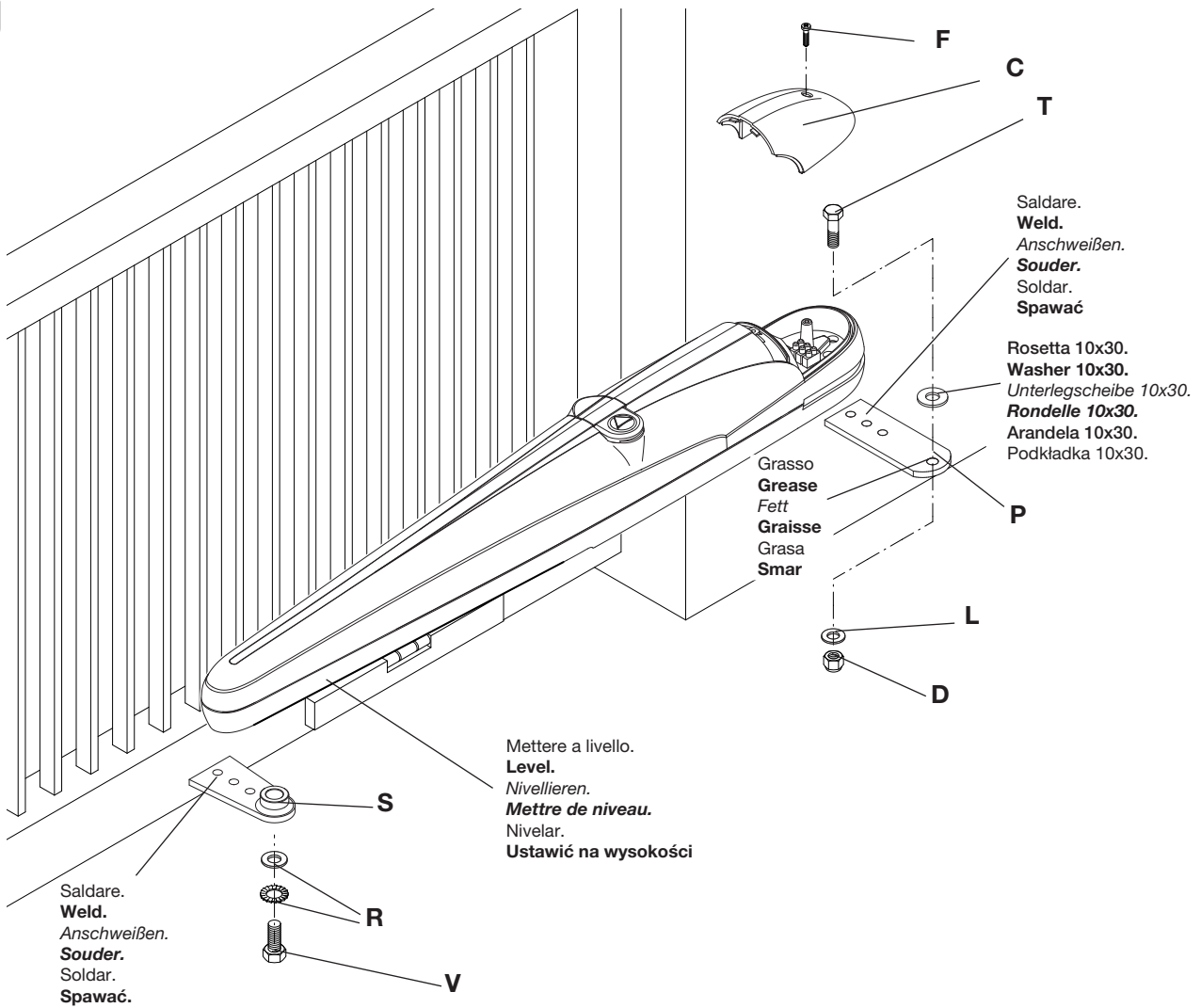


Apertura max Max Opening Max. Öffnung Ouverture max Abertura max.	X (mm)	Y (mm)	Z (mm)	K (mm)	M* max.	Tempo apertura Opening time Öffungszeit Temps d'ouverture Tiempo de abertura Prędkość kątowna (90°)
110°	115	105	80	545	50	13"
100°	120	120	80	540	70	14"
90°	135	135	80	525	80	19"

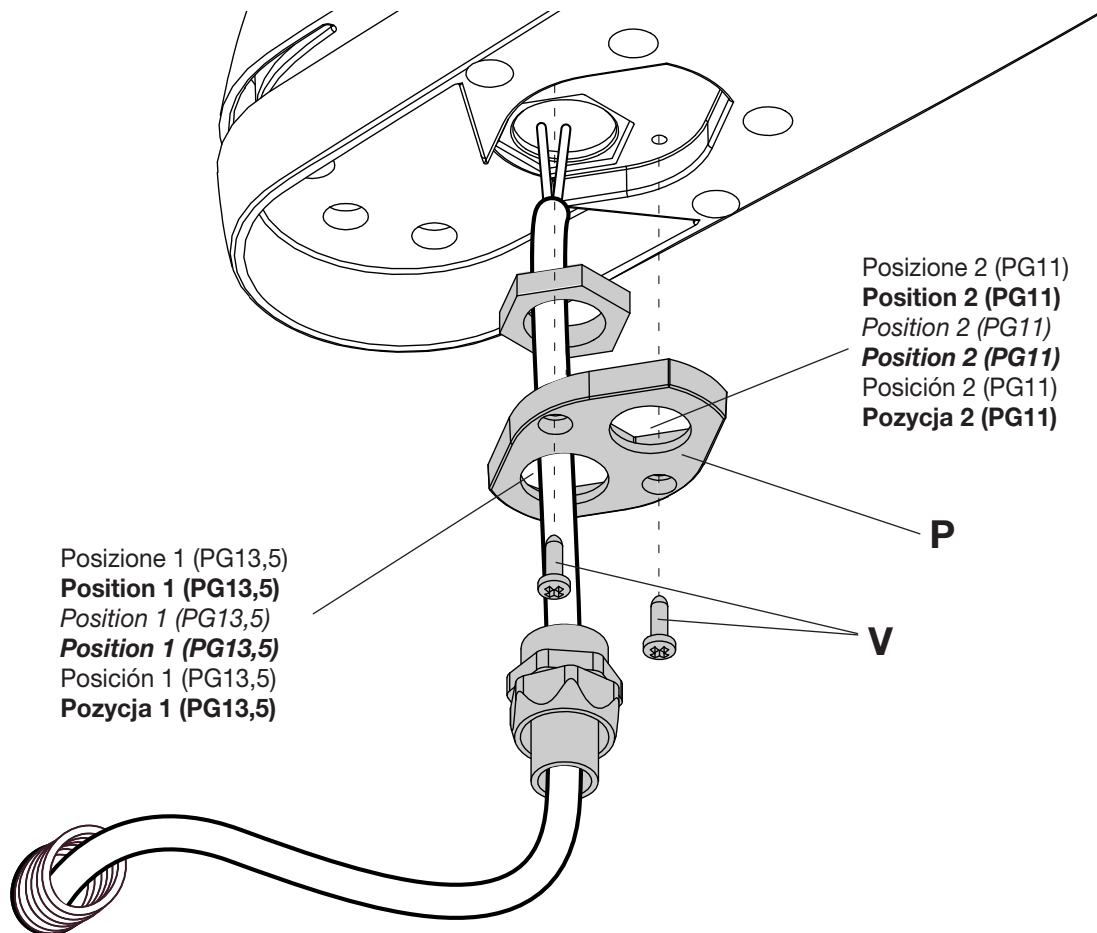
3



4



5





The product shall not be used for purposes or in ways other than those for which the product is intended for and as described in this manual. Incorrect uses can damage the product and cause injuries and damages. The company shall not be deemed responsible for the non-compliance with a good manufacture technique of gates as well as for any deformation, which might occur during use. Keep this manual for further use.



This manual has been especially written to be use by qualified fitters. Installation must be carried out by qualified personnel (professional installer, according to EN 12635), in compliance with Good Practice and current code. Make sure that the structure of the gate is suitable for automation. The installer must supply all information on the automatic, manual and emergency operation of the automatic system and supply the end user with instructions for use.



Packaging must be kept out of reach of children, as it can be hazardous. For disposal, packaging must be divided the various types of waste (e.g. carton board, polystyrene) in compliance with regulations in force.

Do not allow children to play with the fixed control devices of the product. Keep the remote controls out of reach of children. This product is not to be used by persons (including children) with reduced physical, sensory or mental capacity, or who are unfamiliar with such equipment, unless under the supervision of or following training by persons responsible for their safety. Apply all safety devices (photocells, safety edges, etc.) required to keep the area free of impact, crushing, dragging and shearing hazard.

Bear in mind the standards and directives in force, Good Practice criteria, intended use, the installation environment, the operating logic of the system and forces generated by the automated system.

Installation must be carried out using safety devices and controls that meet standards EN 12978 and EN 12453.

Only use original accessories and spare parts, use of non-original spare parts will cause the warranty planned to cover the products to become null and void.

All the mechanical and electrical parts composing automation must meet the requirements of the standards in force and outlined by CE marking.



An omnipolar switch/section switch with remote contact opening equal to, or higher than 3mm must be provided on the power supply mains.

Make sure that before wiring an adequate differential switch and an overcurrent protection is provided.

Pursuant to safety regulations in force, some types of installation require that the gate connection be earthed.

During installation, maintenance and repair, cut off power supply before accessing to live parts. Also disconnect buffer batteries, if any are connected.

The electrical installation and the operating logic must comply with the regulations in force.

The leads fed with different voltages must be physically separate, or they must be suitably insulated with additional insulation of at least 1 mm. The leads must be secured with an additional fixture near the terminals.

During installation, maintenance and repair, interrupt the power supply before opening the lid to access the electrical parts. Check all the connections again before switching on the power.

The unused N.C. inputs must be bridged.



WASTE DISPOSAL

As indicated by the symbol shown, it is forbidden to dispose this product as normal urban waste as some parts might be harmful for environment and human health, if they are disposed of incorrectly.

Therefore, the device should be disposed in special collection platforms or given back to the reseller if a new and similar device is purchased. An incorrect disposal of the device will result in fines applied to the user, as provided for by regulations in force.

Descriptions and figures in this manual are not binding. While leaving the essential characteristics of the product unchanged, the manufacturer reserves the right to modify the same under the technical, design or commercial point of view without necessarily update this manual.

1) DESTINATION OF USE

This product is destined exclusively for the opening and closure of swing doors for the passage of vehicles, characterised by dimensional limits and weight as indicated in this manual in the "Limits of use" paragraph.

No other use is allowed.

Automatismi Benincà is not liable for uses that are not in compliance with those indicated in these instructions.

2) LIMITS OF USE

Table 1 indicates the maximum values (weight by leaf length) acceptable for the BOB automation

BOB 2124 E		BOB 3024 E	
Door leaf width (m)	Door leaf weight (kg)	Door leaf width (m)	Door leaf weight (kg)
1	300	1,0	400
1,5	250	1,5	350
2	215	2,0	300
2,1	200	2,5	250
--	--	3,0	200

3) INTRODUCTION

- Before installing the system, read the instruction herein.
- It is mandatory not to use the BOB item for applications different from those indicated in the instructions herein.
- Supply the end user with instructions for using this system.
- The end user should receive special instruction manual.
- All Benincà items are covered by an insurance policy for damages and injuries caused by manufacture faults. It is however required that the machine bear the CE marking and original Benincà parts be used.

4) PRELIMINARY CHECKS

It is indispensable to carry out several checks before starting installation:

- Try and open the gate manually, the leaves must move without effort and without points of resistance for the entire run.
- When left in any intermediate position the leaf must not move.
- The hinges and components subject to wear must be in perfect working condition. If this is not the case, replace the faulty parts.
- The door structure must be strong and the leaves rigid.
- With the gate completely closed, check that the leaves are aligned perfectly along their entire length.
- The pillars supporting the leaves must be suitable for fixing the gear motors.
- BOB has adjustable mechanical stops both in opening and closing. However, a stop for closure on the ground is recommended.

The reliability and safety of the automation depend on the state of the gate structure.

Check that there is enough space for installation of the operator in safe and comfortable conditions.

5) FITTING THE AUTOMATIC SYSTEM

Stabilise the height of the automatic system above ground level (it should be as central as possible with respect to the gate and corresponding to a sturdy cross piece).

Then weld the plate P respecting the distances in fig. 2.

When the gate is closing, weld the bracket S respecting the distance in fig. 2, onto a cross piece of the gate or another suitably robust element; bear in mind that in this condition the actuator must not be completely at the end of travel.

Remove the protective cover C unscrewing the screw F, then fix the actuator to the plate P with the screw T, the washer L and the nut D (fig. 3).

Lastly block the actuator on the plate S with the screw V and the washer R.

The holes in the actuator (fig.2A) help you respect the optimum installation distances.

The adjustable fixing brackets, available on request, allow a wider possibility of adapting the actuator to the different installation conditions, also avoiding cutting and welding the brackets supplied.

6) HOW TO ADJUST THE MECHANICAL STOPPERS

The actuator is provided with adjustable mechanical stoppers in the opening and closing phases. The system is adjusted by suitably positioning the "Open" and "Close" mechanical locks, as shown hereunder (Fig.2):

- 1) Unlock the automatic system by using the special release lever, as shown in the instructions for the user (page 21-22).
- 2) Close the door/gate leaf.
- 3) Loosen screws V1 and move the "Close" lock until it reaches the pivot P, then tighten screws V1.
- 4) Open the door/gate leaf.
- 5) Loosen screws V2 and move the "Open" lock until it reaches the pivot P, then tighten screws V2.
- 6) Reset the automatic operating mode.

7) CONNECTIONS

1) The special plate P (Fig. 5) allows for using a link for sheath or cable gland PG11, or PG13,5. Once the type of cable gland is applied to the plate, fix the latter to the adaptor cover by means of screws V.

2) It is **mandatory** to provide for ground by using the special GND terminal.

8) ELECTRIC CONNECTIONS

The cables necessary for the installation of BOB can vary according to the accessories installed.

No connection cable is supplied.

Fig. 7 indicates the cables for standard installation.

List of cables		
	Connection	Type
A	Mains power supply to the control unit	3x1,5mm ²
B	Motor connection	4x1,5mm ² (3x0,5mm ² BOB 30ME)
C	Photocell transmitter connection	2x1,0mm ²
D	Photocell receiver connection	4x1,0mm ²
E	Key selector connection for external command	2x1,0mm ²
F	Flashing signal light connection	2x1,5mm ²
G	Connection of the aerial built-in the flashing light	RG 58

Legenda	
1	Motoreducer
2	Photo-electric cells
3	Key selector (external) or digital keyboard
4	Flash-light
5	Electronic board

	The cables used must be suitable for the type of connection. For example, for connection protected by raceways use H03VV-F cables, for cables in the outdoor environment always use the H07RN-F type.
--	--

TECHNICAL DATA	BOB2124 E	BOB3024 E
Power supply	24Vdc	
Absorbed current	5,5 A	
Thrust	1800 N	
Jogging	Intensiv	
Protection degree	IP44	
Operating temperature	-20°C / +50°C	
Useful stroke: - with 2 stoppers - without stoppers	270 mm 325 mm	
Noise level	<70 dB	
Lubrication	Permanent grease	
Weight	8,2 kg	8,2 kg

BOB

User's handbook Safety rules

- Do not stand in the movement area of the gate.
- Do not let children play with controls and near the gate.
- Should operating faults occur, do not attempt to repair the fault but call a qualified technician.

Manual and emergency manoeuvre

In the event of a power cut or breakdown, proceed as follows to operate the wings manually (refer to figures A*, B*, C, D, E):

- Open the protective door (fig. A*)
- After inserting the customized key C, turn it anti-clockwise (fig. B*)
- Open the protective door of the release mechanism (fig. C).
- Insert the special release key supplied and turn it through 90°, as indicated in fig. D for a right actuator or as indicated in fig. E for a left actuator.
- It is now possible to open/close the wing manually.
- To restore automatic operation, return the release key to its initial position.
- Remove the release lever and close the protective door.

* Only BOB30M / BOB30ME models.

Maintenance

- Every month check the good operation of the emergency manual release.
- It is mandatory not to carry out extraordinary maintenance or repairs as accidents may be caused. These operations must be carried out by qualified personnel only.
- The operator is maintenance free but it is necessary to check periodically if the safety devices and the other components of the automation system work properly. Wear and tear of some components could cause dangers.

Fig.A

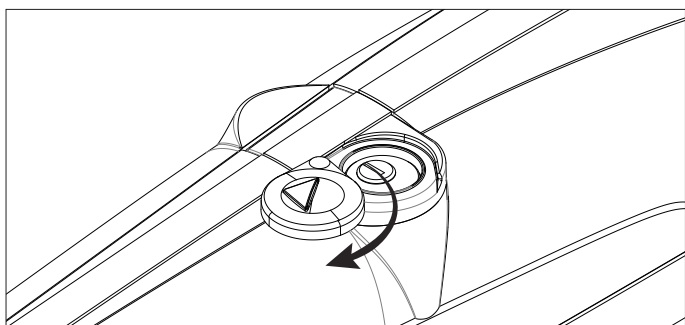


Fig.B

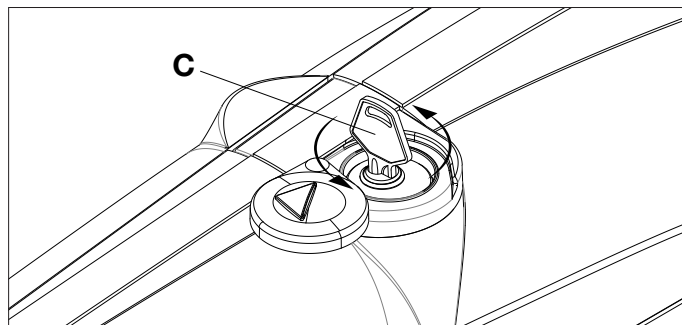


Fig.C

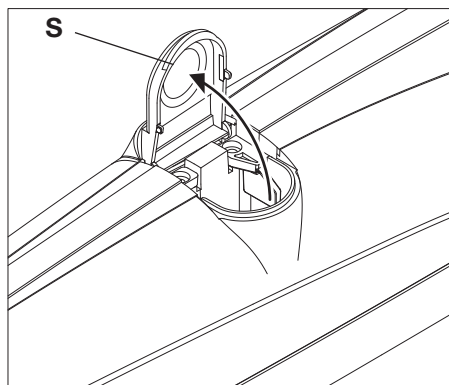


Fig.D

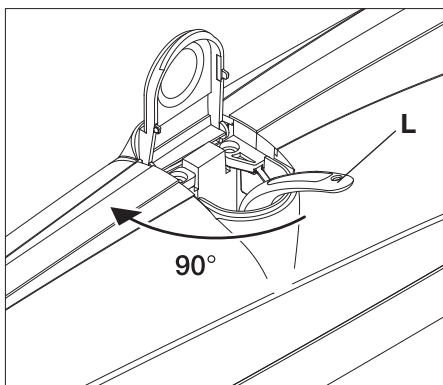
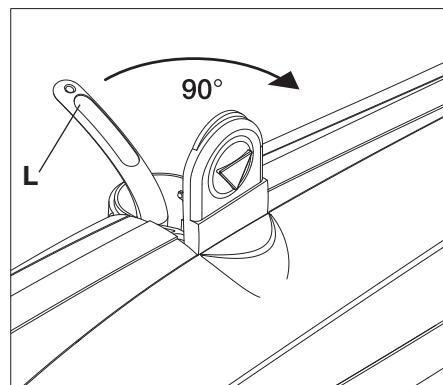
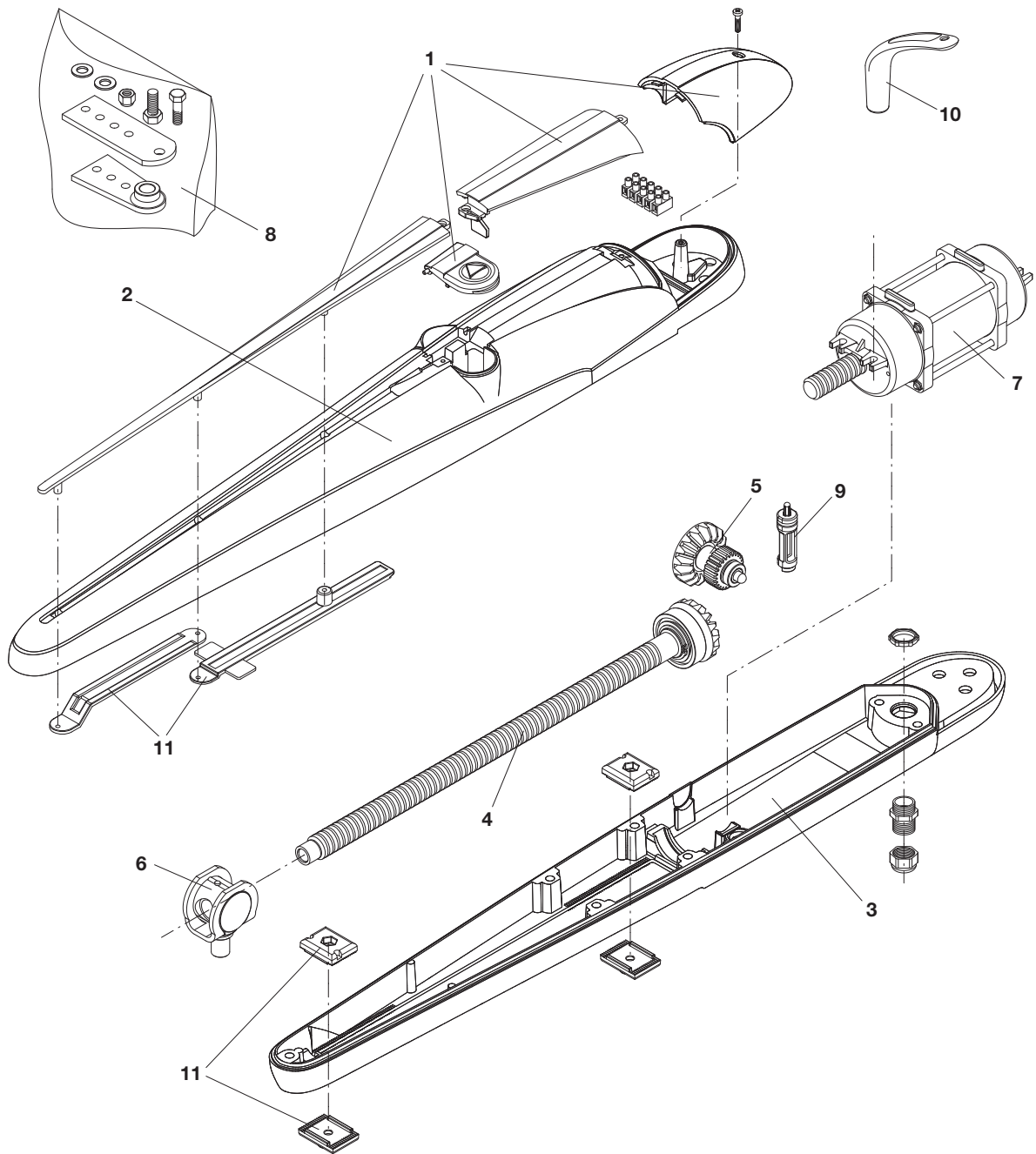


Fig.E





Ref.	BOB 2124 E Code	BOB 3024E Code	BOB 3024E.DA Code	Note
1	9686868	9686769	9686769	
2	9686869	9686869	9688353	
3	9686766	9686766	9688352	
4	9686871	9686871	9686871	
5	9686872	9686872	9686872	
6	9686873	9686816	9686816	
7	9686767	9686767	9686767	
8	9686765	9686765	9686765	
9	9686876	9686876	9686876	
10	9686877	9686877	9686877	
11	9686883	9686883	9686883	

EU Certificato di Conformità (DOC)

Nome del produttore: Automatismi Benincà SpA
Indirizzo: Via Capitello, 45
Codice postale e Città: 36066 - Sandrigo (VI) - Italia
Telefono: +39 0444 751030
E-mail: sales@beninca.it

Dichiara che il documento è rilasciato sotto la propria responsabilità e appartiene al seguente prodotto:

Modello/Tipo: BOB2124 / BOB2124 E / BOB3024 / BOB3024 E
Tipo di prodotto: Attuatore elettromeccanico 24Vdc per cancelli a battente

Il prodotto sopraindicato risulta conforme alle disposizioni imposte dalle seguenti direttive:
Direttiva 2014/30/EU
Direttiva 2011/65/EU

Sono state applicate le norme armonizzate e le specifiche tecniche descritte di seguito:
EN 61000-6-2:2005, EN 61000-6-3:2007 + A1:2011
50581:2012

Organismo notificato (se applicabile):

Ulteriori informazioni:

Firmato per conto di:
Sandrigo, 22/10/2018

Luigi Benincà, Responsabile legale



EU Declaration of Conformity (DOC)

Manufacturer's name: Automatismi Benincà SpA
Postal Address: Via Capitello, 45
Post code and City: 36066 - Sandrigo (VI) - Italia
Telephone number: +39 0444 751030
E-mail address: sales@beninca.it

Declare that the DOC is issued under our sole responsibility and belongs to the following product:

Model/Product: BOB2124 / BOB2124 E / BOB3024 / BOB3024 E
Type: Electromechanical actuator 24Vdc for swing gates

The object of the declaration described above is in conformity with the relevant Union harmonization legislation:
Directive 2014/30/EU
Directive 2011/65/EU

The following harmonized standards and technical specifications have been applied:
EN 61000-6-2:2005, EN 61000-6-3:2007 + A1:2011
50581:2012

Notified body (where applicable):

Additional information:

Signed for and on behalf of:
Sandrigo, 22/10/2018

Luigi Benincà, Responsabile legale



EG-Konformitätserklärung (DOC)

Name des Herstellers: Automatismi Benincà SpA
Adresse: Via Capitello, 45
Codice postale e Città: 36066 - Sandrigo (VI) - Italia
Telefono: +39 0444 751030
E-mail: sales@beninca.it

Erklärt, dass das Dokument unter alleiniger Verantwortung herausgegeben wurde und zu dem folgenden Produkt gehört:MM

Modell/Produkt: BOB2124 / BOB2124 E / BOB3024 / BOB3024 E
Type: Elektromechanischer 24Vdc-Antrieb für Drehtoranlagen

Das oben genannte Produkt stimmt mit den Vorschriften der folgenden Richtlinien überein:
Richtlinie 2014/30/EU
Richtlinie 2011/65/EU

Die harmonisierten Normen und technischen Spezifikationen, die unten beschrieben werden, wurden angewandt:
EN 61000-6-2:2005, EN 61000-6-3:2007 + A1:2011
50581:2012

Benannte Stelle (falls zutreffend):

Weitere Informationen:

Unterzeichnet für und im Auftrag von:
Sandrigo, 22/10/2018

Luigi Benincà, Responsabile legale



Déclaration CE de conformité (DOC)

Nom du producteur : Automatismi Benincà SpA
Adresse: Via Capitello, 45
Ville et code postal: 36066 - Sandrigo (VI) - Italia
Téléphone: +39 0444 751030
E-mail: sales@beninca.it

Nous déclarons que le document est délivré sous notre propre responsabilité et qu'il appartient au produit suivant:

Modèle/Type: BOB2124 / BOB2124 E / BOB3024 / BOB3024 E
Type de produit: Actionneur électromécanique 24Vdc pour portails battants

Le produit mentionné ci-dessus est conforme aux dispositions établies par les directives suivantes:
Directive 2014/30/EU
Directive 2011/65/EU

Les normes harmonisées et les spécifications techniques décrites ci-dessous ont été appliquées:
EN 61000-6-2:2005, EN 61000-6-3:2007 + A1:2011
50581:2012

Organisme notifié (le cas échéant):

Plus d'informations:

Signé pour et au nom de:
Sandrigo, 22/10/2018

Luigi Benincà, Responsabile legale



Declaración CE de conformidad (DOC)

Deklaracja zgodności CE (DOC)

Nombre del productor: Automatismi Benincà SpA
Dirección: Via Capitello, 45
Ciudad y código postal: 36066 - Sandrigo (VI) - Italia
Teléfono: +39 0444 751030
E-mail: sales@beninca.it

Nazwa producenta: Automatismi Benincà SpA
Adres: Via Capitello, 45
Kod pocztowy i miasto: 36066 - Sandrigo (VI) - Italia
Telefon: +39 0444 751030
Adres e-mail: sales@beninca.it

Declara que el documento ha sido emitido bajo la propia responsabilidad y pertenece al siguiente producto:

Oświadczam, że dokument został wydany na własną odpowiedzialność i dotyczy produktu:

Modelo/Tipo: BOB2124 / BOB2124 E / BOB3024 / BOB3024 E

Model/Typ: BOB2124 / BOB2124 E / BOB3024 / BOB3024 E

Tipo de producto: Motorreductor electromecánico 24Vdc para portones batientes

Rodzaj produktu: Siłownik elektromechaniczny 24Vdc do bram skrzydłowych

El producto indicado arriba cumple con las disposiciones establecidas por las siguientes directivas:

Directiva 2014/30/EU
Directiva 2011/65/EU

Wyżej wskazany produkt spełnia wymagania dyrektyw:

Dyrektywy 2014/30/EU
Dyrektywy 2011/65/EU

Han sido aplicadas las normas armonizadas y las especificaciones técnicas que se describen a continuación:

EN 61000-6-2:2005, EN 61000-6-3:2007 + A1:2011
50581:2012

Uwzględniono normy zharmonizowane i zastosowano niżej wskazane specyfikacje techniczne:

EN 61000-6-2:2005, EN 61000-6-3:2007 + A1:2011
50581:2012

Organismo notificado (en su caso):

Más información:

Jednostka notyfikowana (stosownych przypadkach):

Dodatkowe informacje:

Firmado en nombre de:
Sandrigo, 22/10/2018

Luigi Benincà, Responsabile legale



Podpisano w imieniu:
Sandrigo, 22/10/2018

Luigi Benincà, Responsabile legale



BENINCA®